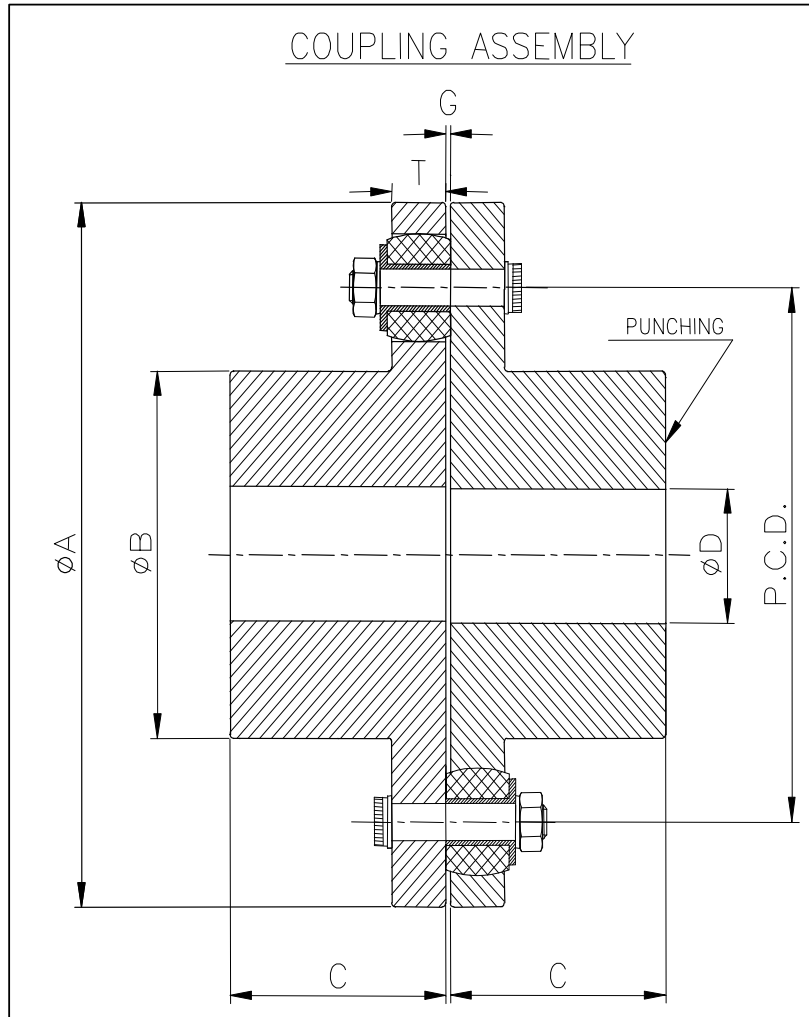


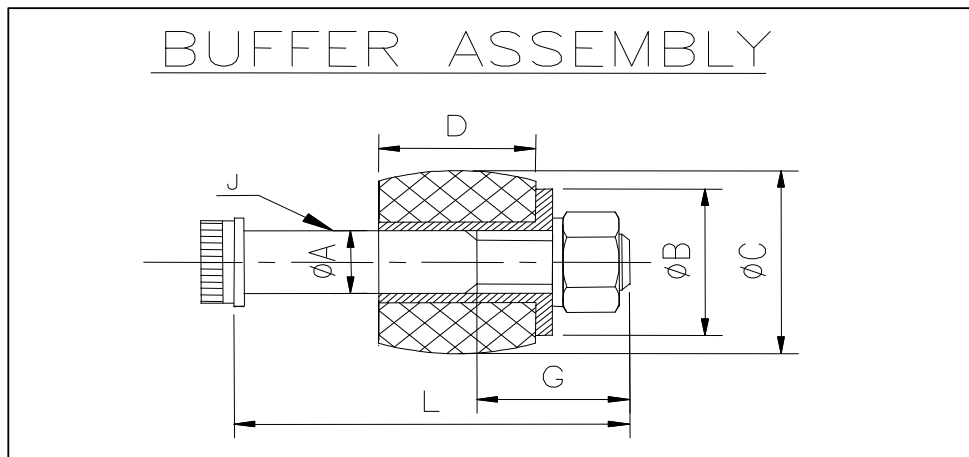
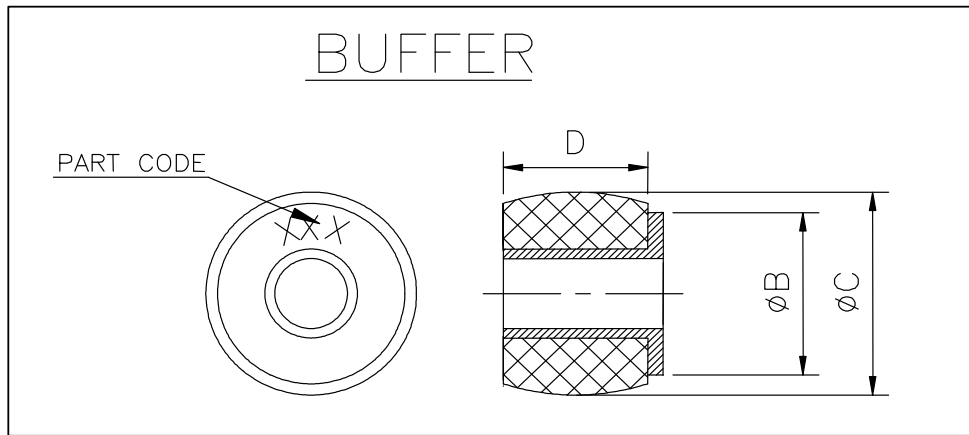
**1. GENERAL ASSEMBLY DRAWING & SPECIFICATIONS**



**Coupling Specification:**

| S.N | Size    | Polyurethane buffer |                |                  | Dimensions (mm) |     |     |             |   |    |     | Solid hub   |                          | Bolt Details |      |
|-----|---------|---------------------|----------------|------------------|-----------------|-----|-----|-------------|---|----|-----|-------------|--------------------------|--------------|------|
|     |         | Torque (Nm)         | Power (kW/rpm) | Max. Speed (rpm) | A               | B   | C   | D (Min-Max) | G | T  | PCD | Weight (kg) | M.I. (Kgm <sup>2</sup> ) | Size         | Qty. |
| 1   | RP-12.5 | 900                 | 0.094          | 5800             | 125             | 70  | 50  | 16-50       | 3 | 20 | 95  | 6           | 0.009                    | M8           | 12   |
| 2   | RP-14.5 | 1500                | 0.157          | 5500             | 145             | 80  | 65  | 16-58       | 5 | 25 | 112 | 10.1        | 0.02                     | M10          | 12   |
| 3   | RP-16.5 | 2100                | 0.220          | 4800             | 165             | 100 | 70  | 22-75       | 5 | 25 | 130 | 14.7        | 0.037                    | M10          | 12   |
| 4   | RP-19.5 | 4200                | 0.440          | 4400             | 195             | 120 | 90  | 32-90       | 5 | 30 | 155 | 27.13       | 0.09                     | M12          | 12   |
| 5   | RP-24.0 | 9000                | 0.942          | 3600             | 240             | 150 | 105 | 42-110      | 5 | 35 | 190 | 46.6        | 0.246                    | M16          | 16   |
| 6   | RP-29.0 | 17000               | 1.779          | 3000             | 290             | 180 | 125 | 60-130      | 6 | 50 | 230 | 86.2        | 0.70                     | M20          | 16   |
| 7   | RP-32.0 | 22000               | 2.302          | 2600             | 320             | 210 | 151 | 70-150      | 6 | 50 | 260 | 124.3       | 1.17                     | M20          | 16   |
| 8   | RP-35.0 | 30000               | 3.140          | 2400             | 350             | 225 | 161 | 76-160      | 6 | 60 | 285 | 161.7       | 1.88                     | M24          | 16   |
| 9   | RP-38.0 | 37500               | 3.925          | 2200             | 380             | 245 | 181 | 80-180      | 6 | 60 | 310 | 206.4       | 2.73                     | M24          | 16   |

2. PART DETAILS



| Sr. No. | Coupling Size | Dimensions (mm) |      |    |    |    |     |  |
|---------|---------------|-----------------|------|----|----|----|-----|--|
|         |               | A               | B    | C  | D  | G  | L   | J                                      |
| 1       | RP-12.5       | 8               | 16.8 | 22 | 23 | 22 | 60  | Refer general assembly (G.A.) drawing. |
| 2       | RP-14.5       | 10              | 20.8 | 25 | 31 | 26 | 80  |  |
| 3       | RP-16.5       | 10              | 20.8 | 25 | 31 | 26 | 80  |  |
| 4       | RP-19.5       | 12              | 23.8 | 30 | 35 | 30 | 90  |  |
| 5       | RP-24.0       | 16              | 29.8 | 35 | 39 | 38 | 110 |  |
| 6       | RP-29.0       | 20              | 36.8 | 45 | 56 | 52 | 150 |  |
| 7       | RP-32.0       | 20              | 36.8 | 45 | 56 | 52 | 150 |  |
| 8       | RP-35.0       | 24              | 43.8 | 55 | 64 | 60 | 170 |  |
| 9       | RP-38.0       | 24              | 43.8 | 55 | 64 | 60 | 170 |  |